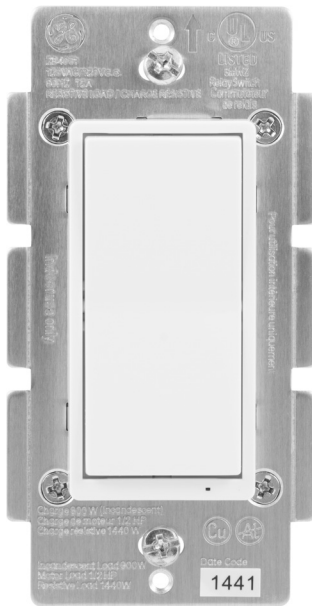


# GE ZigBee In-Wall Smart Switch



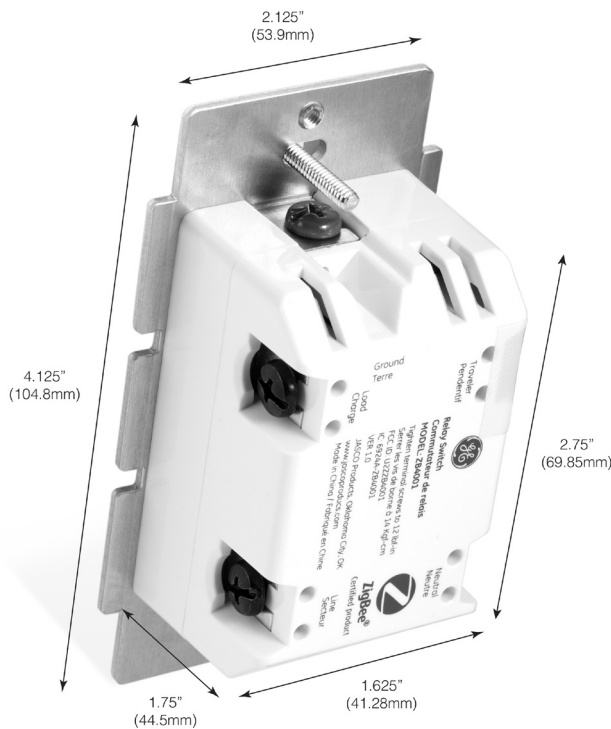
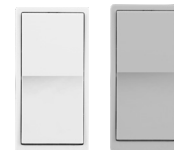
## Specifications

- Power:** 120VAC, 60Hz
  - Signal Frequency:** 2.4GHz IEEE 802.15.4
  - Maximum Load:** 900W incandescent, 1/2HP motor, 1440W (12A) resistive
  - Range:** Up to 150 feet from controller or closest ZigBee device
  - Operating Temperature:** 32-104 °F (0-40 °C)
  - Warranty:** 2-year limited product warranty
- Requires neutral wire. Switch must be mounted indoors.**

## Design Features

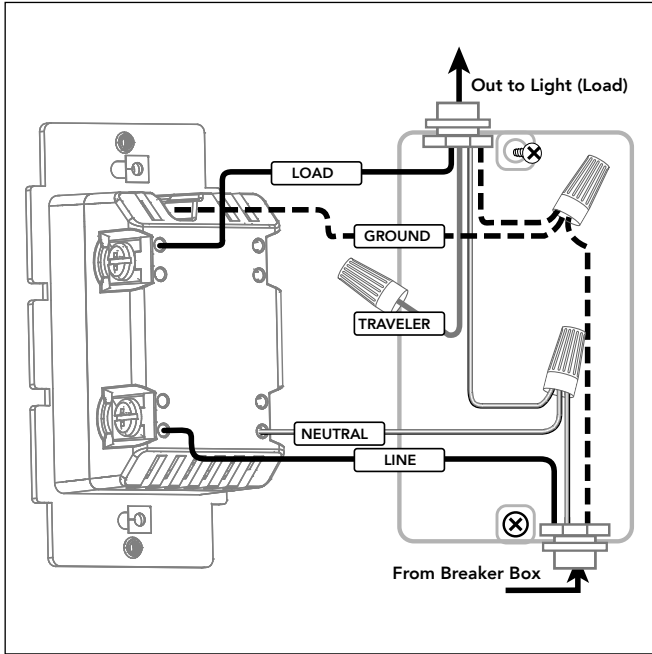
- Turn the connected device ON/OFF manually or via ZigBee HA 1.2 certified controller\*
- ZigBee HA 1.2 certified for simple pairing and integrated home automation\*
- May be used in single-pole installation or with up to four GE model 12723 add-on switches in 3-, 4-, 5- or 6-way wiring configurations
- Blue LED indicates switch location in a dark room and when awaiting pairing with ZigBee controller
- **Energy Monitoring** - Track Watts (W) and Kilowatt Hours (kWh) through the ZigBee controller
- Can be included in multiple groups and scenes
- Screw terminal installation requires wiring connections for line (hot), load, neutral and ground. Traveler wire required for multi-pole installation
- Uses a standard-size "Decora" style wall plate for single gang installations (wall plate not included)
- Includes white and light almond paddles.
- LED can be enabled/disabled manually
- Inline traveler circuit protection

### White/light almond paddles included

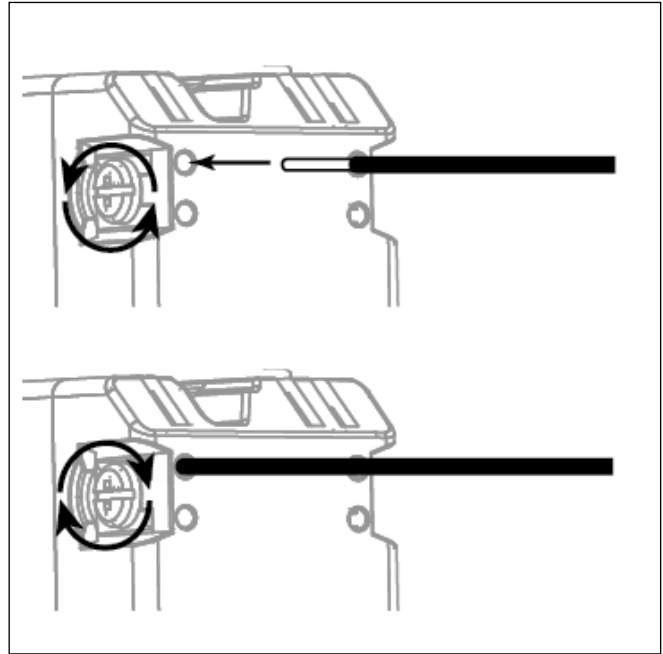


\* Requires ZigBee hub or controller. Functions may vary depending on brand.

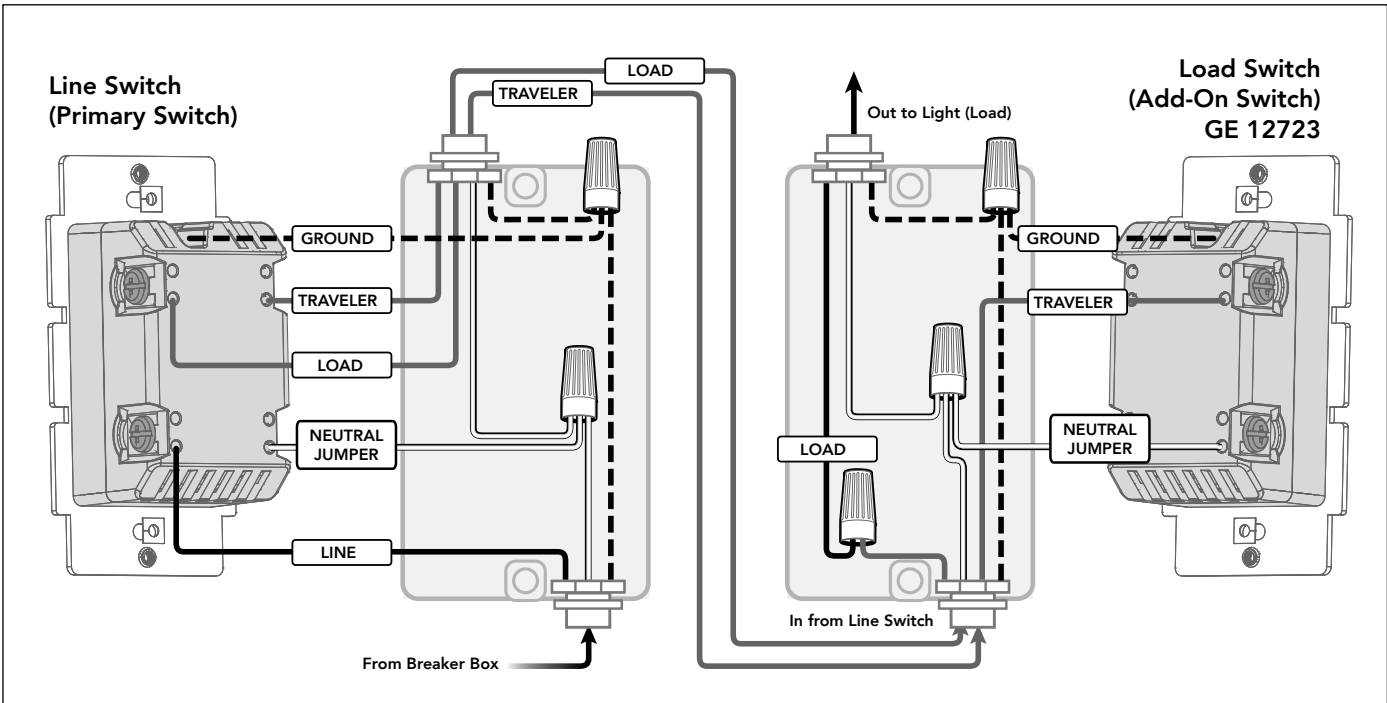
Single-Location Wiring



Space-Saving Screw Terminals



Multi-Location Wiring



Installation Recommendations:

- Devices require a single-gang U.S. wall box – 3.5in. deep recommended, 2.25in. deep minimum
- Indoor use only
- Visit <http://www.ezzigbee.com/hubs/> for hub compatibility
- Wallplates sold separately
- Trilingual instruction manual – English, French, Spanish



**Range Extender**

Each GE-branded smart control repeats the signal up to 150 feet. Installing additional GE-branded smart controls extends the range of your ZigBee network for whole-home wireless control.

 **Energy Monitoring**

This GE-branded Smart Dimmer reports energy usage of connected devices providing the information and automation needed to reduce energy consumption and save money.

**Device Configuration**

**Zigbee network pairin**

1. From your ZigBee Controller's interface, choose to add lighting device and enter Locating/Pairing mode as instructed by the controller.
2. Restore power to the Smart Switch at the circuit breaker
3. Network pairing begins automatically: LED status indicator blinks as the Smart Switch automatically scans for a compatible network controller to pair with.
4. After the Smart Switch is located and paired to the ZigBee network, the LED status indicator will stop blinking and the Smart Switch will appear in your controller's menu.
5. The Smart Switch is now paired to the ZigBee network and can be controlled remotely.

**Remove from Zigbee network**

From your controller or hub interface, choose to remove or delete the Smart Switch as instructed. The Smart Switch will be removed from the ZigBee network following indication from your controller. All configuration parameters will be reset after the Smart Switch is removed from the network.

**Manual**

To manually reset and remove the Smart Switch from the ZigBee network, tap top of rocker (ON Switch) 10x quickly (short presses.)

**Certifications & Compliances**



ZigBee®



Compliances, specifications and availability are subject to change without notice

Distributed by Jasco Products Company LLC  
10 E. Memorial Rd., Oklahoma City, OK

©Jasco 2018

**Related Products - GE ZigBee Smart Controls**



**45857GE**  
In-Wall  
Smart Dimmer



**45853GE**  
Plug-In  
Smart Switch



**45852GE**  
Plug-In  
Smart Dimmer

**Additional Paddle Colors**



**35183**  
Black Paddle



**35184**  
Brown Paddle



**35185**  
Ivory Paddle